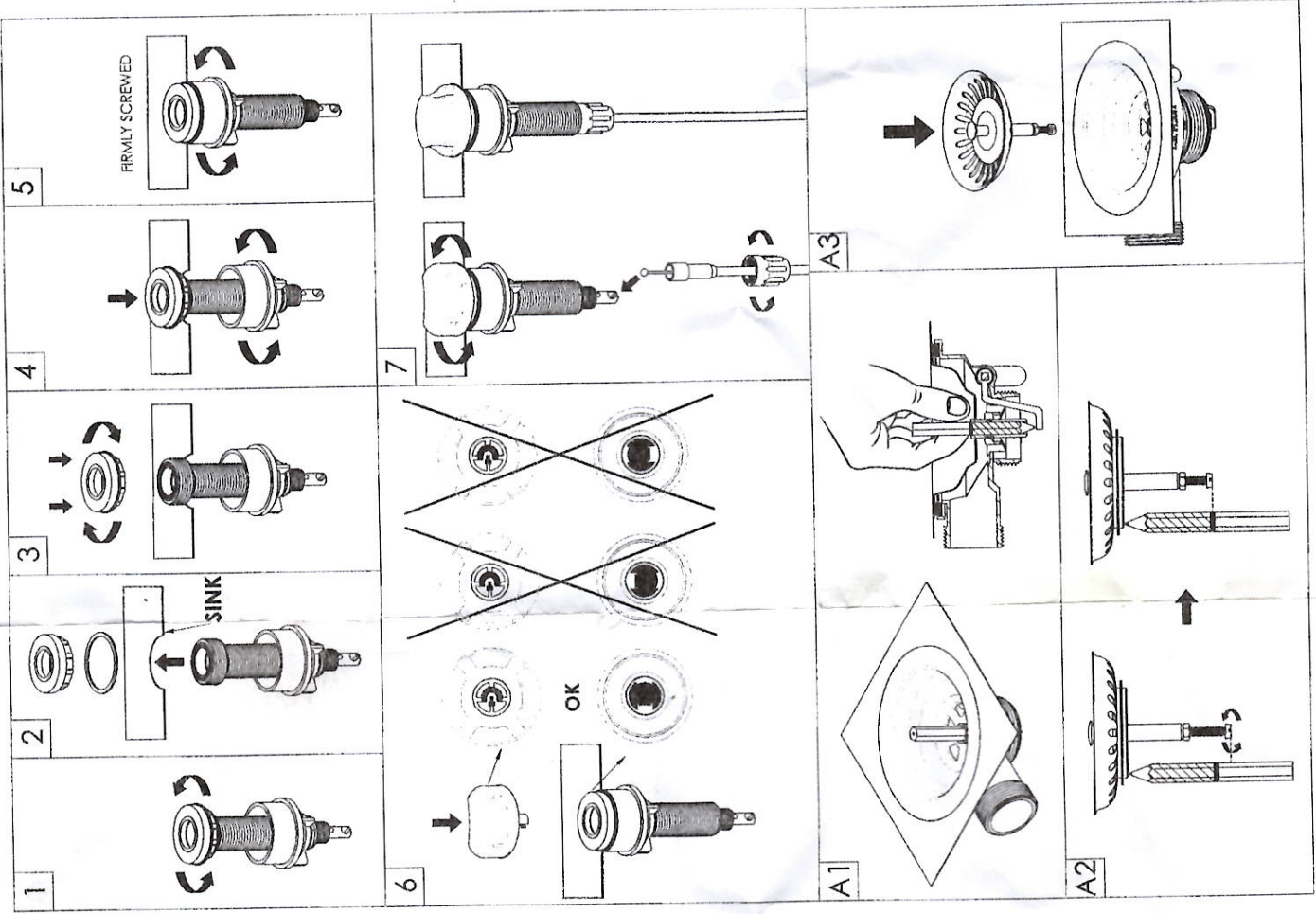
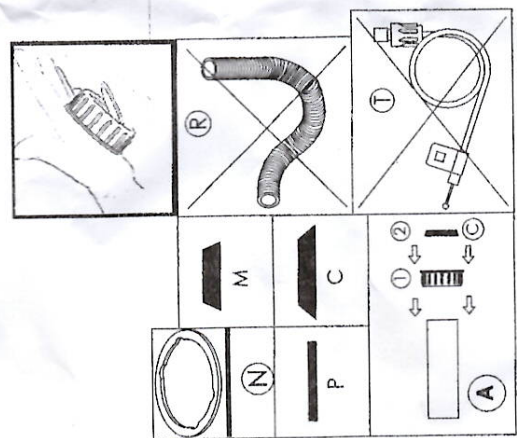
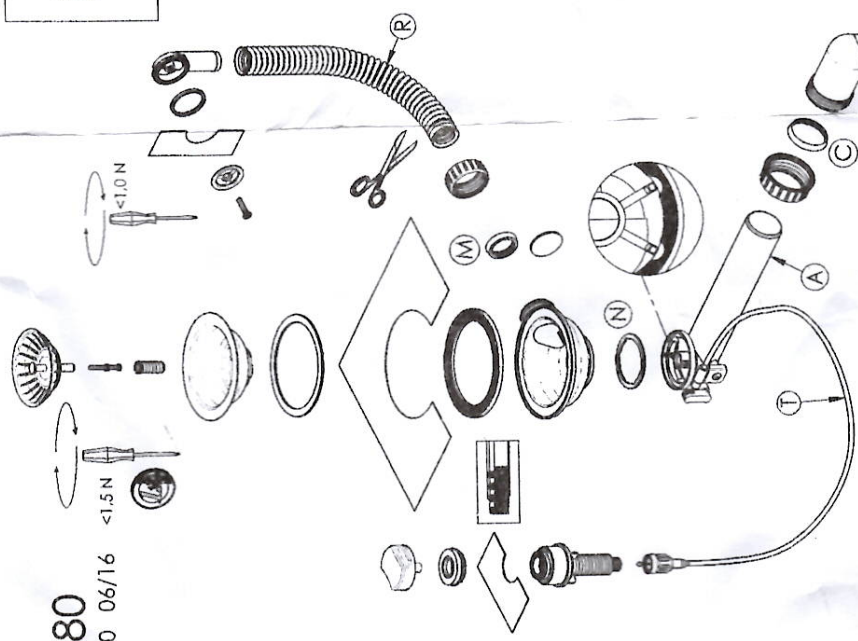


E-080  
REV.00 06/16

<1.5N



SINK

OK